

PRONORM AIR

THE FREEDOM TO CREATE CLEAN SPACE



ASPRA® PMC

PRODUCT DESCRIPTION

The ASPRA PMC is specifically designed for the industrial and commercial market. This powerful and unique air purifier easily and effectively removes large dust concentrations from large amounts of air. Ideal for application in steel processing, paper processing, factories, welding workplaces, agricultural intermediate spaces, distribution centres, public facilities and more.

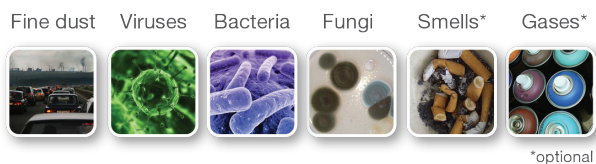
The ASPRA PMC effectively removes particulate matter (PM) including coarse dust and ultrafine particles from the air. Resulting in increasing health and comfort working conditions and reducing cleaning costs / efforts.

The air purifier is equipped with a self-cleaning system, where coarse dust (PM10 and larger) is captured in a collecting medium at the inner part of the system. The finer particles as PM2.5, PM1 and Ultrafine (nano) particles are then captured on the special open structure collectors (particle filter). Due to this two phase filtration, the ASPRA PMC requires low maintenance.

BENEFITS

- Equal to HEPA purification
- Effective reduction of all particles (coarse, fine and ultrafine)
- High capacity combined with high efficiency(99%)
- Effective for the removal and elimination of airborne microbes and viruses
- Self-cleaning system
- Low in maintenance
- Easy dust collection
- Low noise levels
- Free standing or attached to ceiling / walls
- Easily expanded for with localized air extraction or integration with ventilation ducts
- Tax benefit in the Netherlands via MIA\VAMIL / Environmental list 2018, H4, code A 4480

WHAT WILL BE REMOVED FROM THE AIR?



*optional

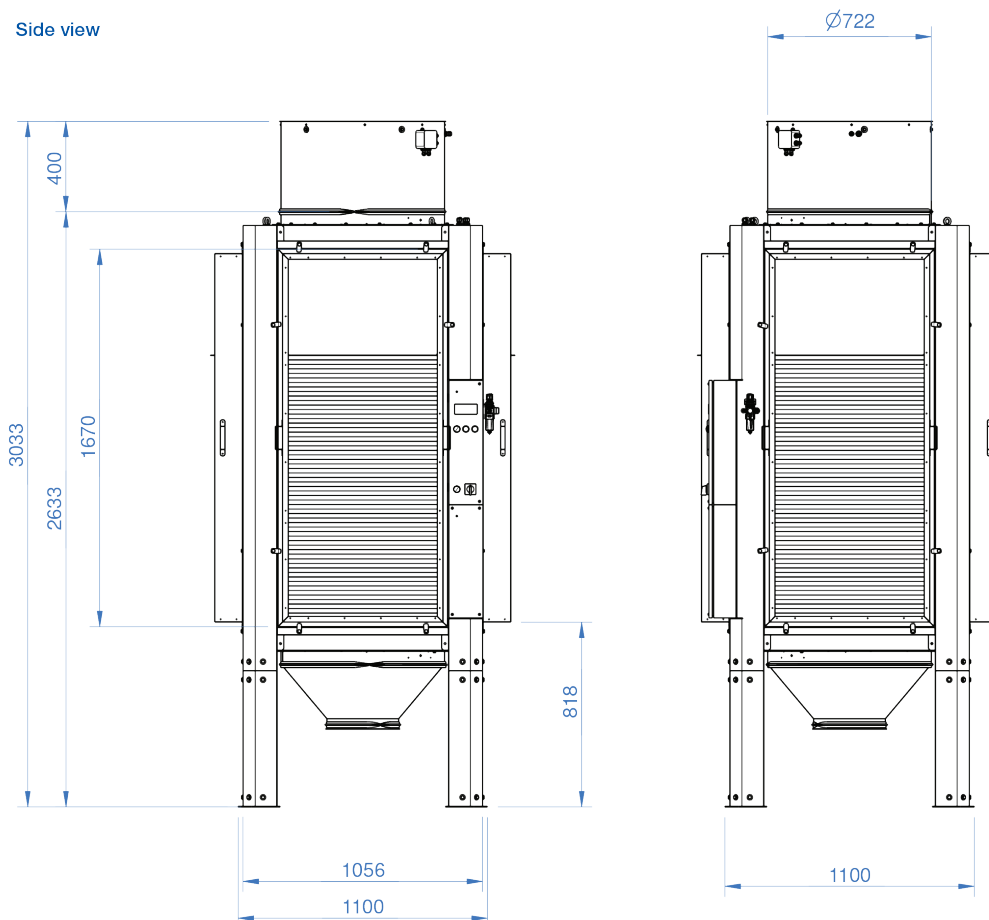
PRODUCT DETAILS

Order code / Pro	VFA10042 / VFA10042P
Settings	Variable Speeds, 4 cleaning modes
Capacity	10.000 m ³ /h
Power	100 (at 4000 m ³ /h) - 700 W (at 10.000 m ³ /h)
Sound	58 dB (LpA)
Efficiency	99%
Size	1344 x 1344 x 3033 mm
Weight	~240 kg
Materials	Galvanised steel and plastic
Air cleaning technique	ASPRA + self cleaning
Self cleaning	For PM10
Power input	~230 V/ 50 - 60 HZ also available for ~110 V
Colours	Metal colour with white
Installation	Free standing on ground / attached to ceiling/walls
Regulation	Decentral (central control is possible by integrating with Building Management System)
Control	Manual
Including	Collector KIT ASPRA PMC, collecting bag(s)
Excluding	Mounting material
Installation requirements	1 L/min compressed air at 5 Bar
Suggested customizations	
Custom RAL colour fan tube / Custom plastic colour	
Stainless steel material	
Separate compressor for air pressure	
Central control of multiple devices	
Collectors, ACF filters and extra's	Order code
Collecting bag(s)	
Collector KIT ASPRA PMC	C - 4 EF150
Active Carbon KIT ASPRA PMC	ACF PMC

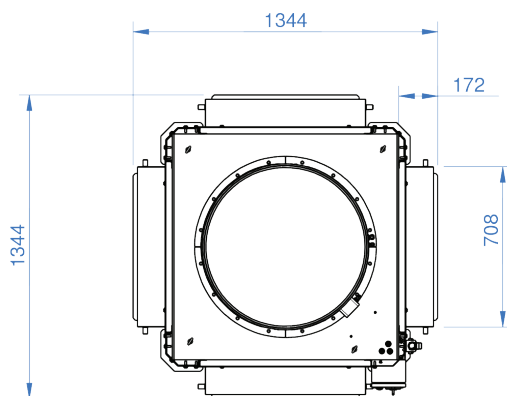
PRONORM AIR

PRODUCT SIZES (MM)

Side view



Top view



99%

Permanently remove
of the viruses and bacteria
from the air